

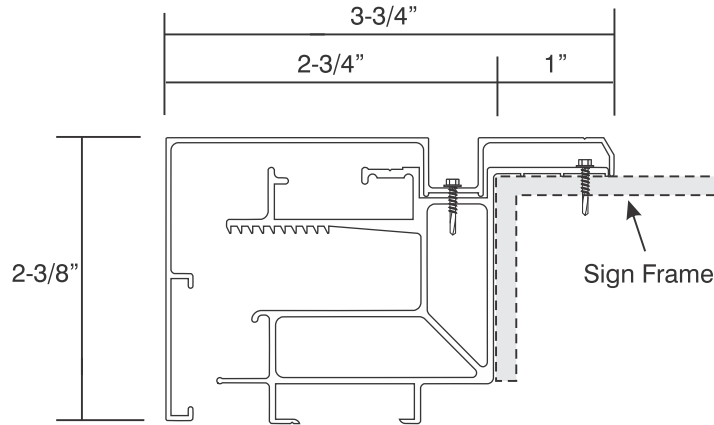
Flex Face Retainer System

General Spec Sheet

- Flex Face Retainer System for Conventional Frame Cabinets.

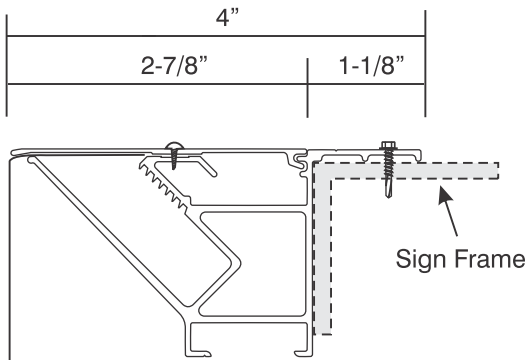
Frame Detail 2-3/8" Retainer

- * Retro Frame #2112
- * Retro Cover #2115

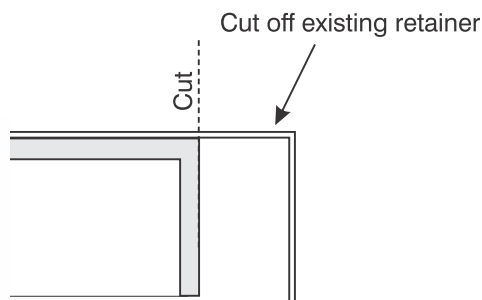


Frame Detail Bleed Face

- * Flat Bleed Retro Frame #2104
- * Flat Bleed Retro Cover #2121



For Retro-fitting Existing Cabinet





5260 Jerusalem Ct.
Modesto, California 95356
(209) 523-7446 Fax (209) 522-2997

1-800-361-7446

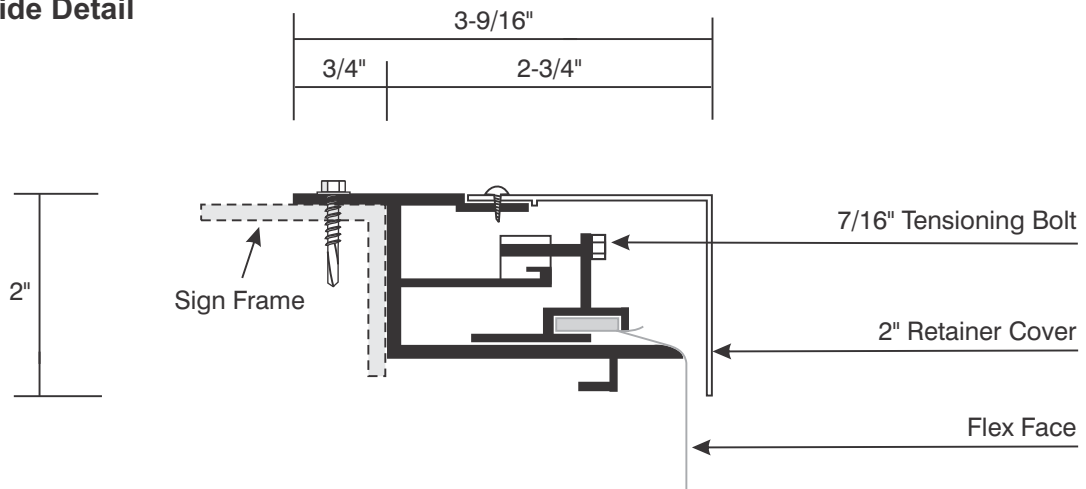
Flex Face Retainer System

General Spec Sheet

- Flex Face Retainer System for Conventional Frame & Skin Cabinets.
- No Special Tensioning Tools Required.
(7/16" Socket for Cordless Drill)

Excellent[®]
ALUMINUM EXTRUSIONS

Side Detail



For Retro-fitting Existing Cabinet

