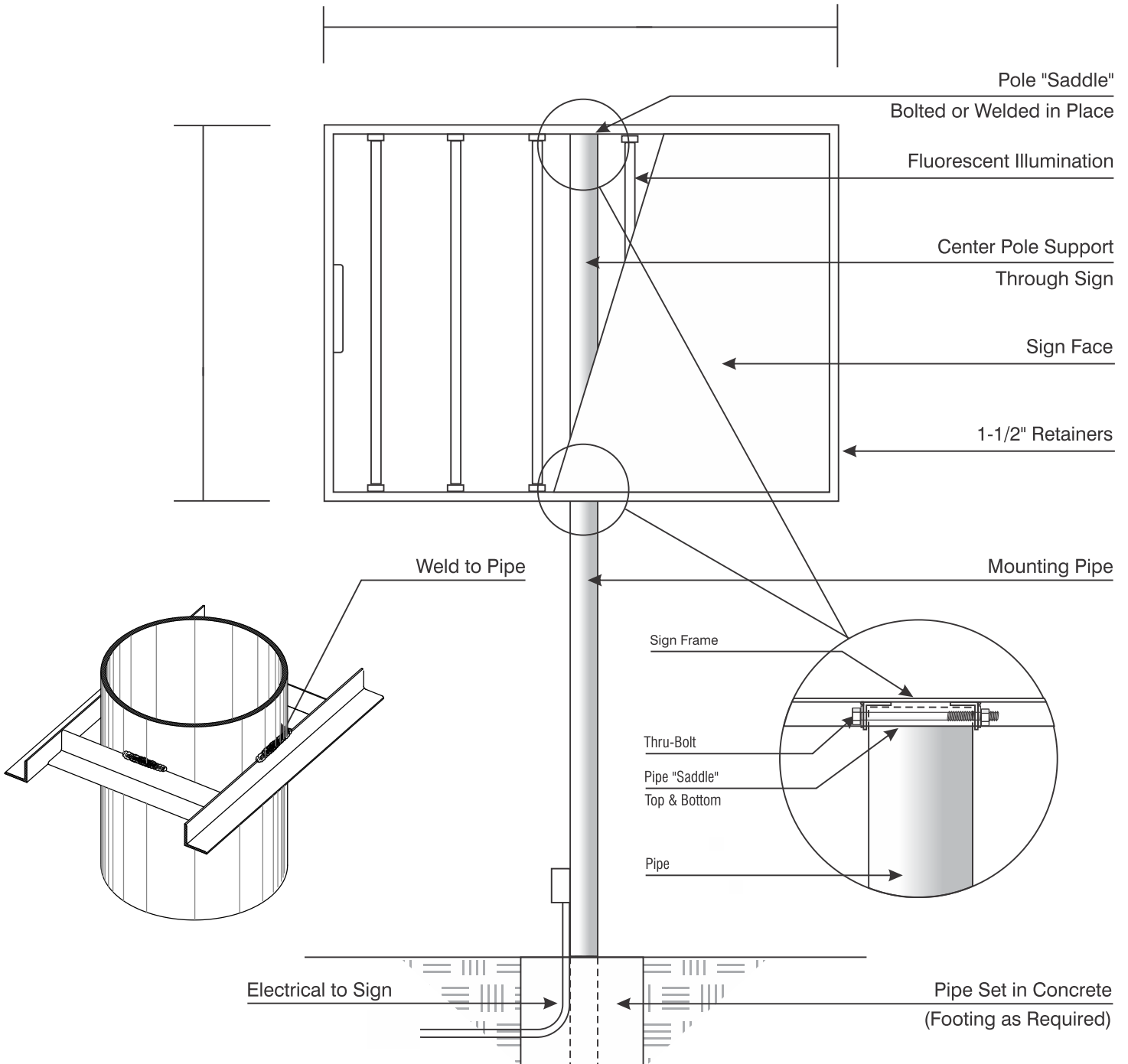


Freestanding Pole Signs (typ)

General Spec Sheet

- Fluorescent Illuminated.
- Steel or Aluminum Frame System.
- Built for Center Pole.
- Verticle Lamps.





5260 Jerusalem Ct.
Modesto, California 95356
(209) 523-7446 Fax (209) 522-2997

1-800-361-7446

Freestanding Pole Signs (typ)

General Spec Sheet

- Fluorescent Illuminated.
- Aluminum Extrusion Frame System.
- Built for Center Pole.
- Verticle Lamps.
- Mathews Acrylic Polturement Paint Finishes.

